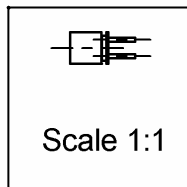
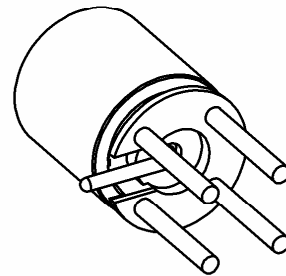
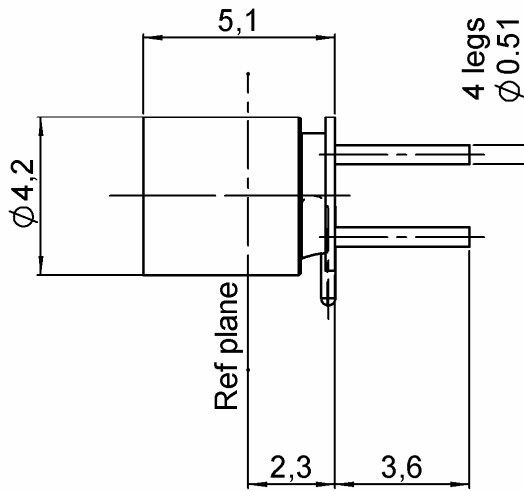
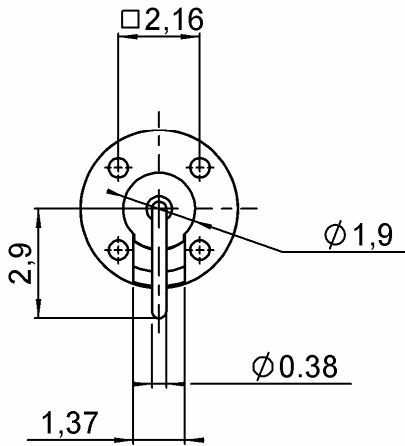


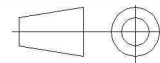
**MALE STRAIGHT RECEPTACLE FOR PCB**  
**PIN IN PASTE - LIMITED DETENT**

**R222.428.300**

Series : SMP



All dimensions are in mm.



COMPONENTS	MATERIALS	PLATINGS (µm)
BODY	STAINLESS STEEL + BRASS	PASSIVATED + GOLD 0.5 OVER NICKEL 2
CENTER CONTACT	BERYLLIUM COPPER	GOLD 1.27 OVER NICKEL 1.27
OUTER CONTACT	-	-
INSULATOR	PTFE	-
GASKET	-	-
OTHERS PARTS	-	-
-	-	-
-	-	-

Issue : 0914 C

In the effort to improve our products, we reserve the right to make changes judged to be necessary.



**MALE STRAIGHT RECEPTACLE FOR PCB**

**R222.428.300**

**PIN IN PASTE - LIMITED DETENT**

Series : SMP

**PACKAGING**

**SPECIFICATION**

Standard	Unit	Other
<b>100</b>	<b>'W' option</b>	<b>Contact us</b>

**ELECTRICAL CHARACTERISTICS**

**ENVIRONMENTAL**

Impedance	<b>50</b>	$\Omega$
Frequency	<b>0-18</b>	GHz
VSWR	<b>1.15*</b> + <b>0,0000</b>	x F(GHz) Maxi
Insertion loss	<b>0.12</b>	$\sqrt{F}$ (GHz) dB Maxi
RF leakage	- ( <b>NA</b> )	- F(GHz)) dB Maxi
Voltage rating	<b>335</b>	Veff Maxi
Dielectric withstanding voltage	<b>500</b>	Veff mini
Insulation resistance	<b>5000</b>	M $\Omega$ mini

Operating temperature	<b>-65/+165</b>	$^{\circ}$ C
Hermetic seal	<b>NA</b>	Atm.cm3/s
Panel leakage	<b>NA</b>	

**OTHERS CHARACTERISTICS**

Assembly instruction

Others :  
Compliant with MIL-STD-348  
\*At 12.4GHz - performance strongly depends on lay out and pcb material

**MECHANICAL CHARACTERISTICS**

Center contact retention		
Axial force – Mating end	<b>6.8</b>	N mini
Axial force – Opposite end	<b>6.8</b>	N mini
Torque		N.cm mini
Recommended torque		
Mating	<b>NA</b>	N.cm
Panel nut	<b>NA</b>	N.cm
Mating life	<b>500</b>	Cycles mini
Weight	<b>0,3500</b>	g

Issue : 0914 C

In the effort to improve our products, we reserve the right to make changes judged to be necessary.



**MALE STRAIGHT RECEPTACLE FOR PCB**

**R222.428.300**

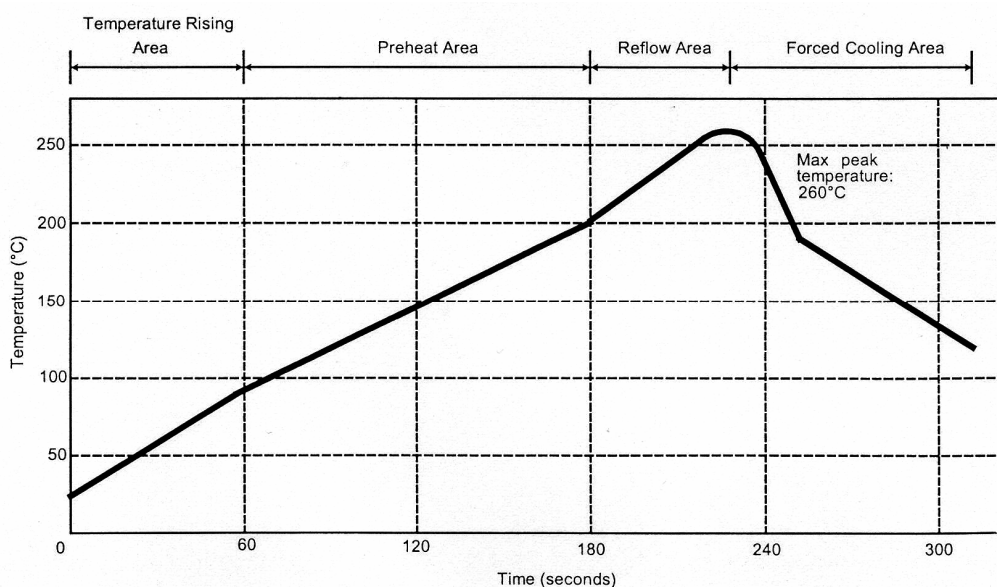
**PIN IN PASTE - LIMITED DETENT**

Series : SMP

**SOLDER PROCEDURE**

1. Deposition of solder paste 'Sn Ag4 Cu0.5' on mounting zone by screen printing application. We recommend a low residue flux.  
We advise a thickness of 150 microns ( 5.85 microinch ). Verify that the edges of the zone are clean.
2. Placement of the receptacle on the mounting zone with an automatic machine of 'pick and place' type.  
Video camera is recommended for the positioning of the component. Adhesive agents must not be used on the receptacle.
3. Soldering by infra-red reflow.  
Below, please find the typical profile to use.
4. Cleaning of printed circuit boards.
5. Checking of solder joints and position of the component by visual inspection.

**TEMPERATURE PROFILE**



Parameter	Value	Unit
Temperature rising Area	1 - 4	°C/sec
Max Peak Temperature	260	°C
Max dwell time @260°C	10	sec
Min dwell time @235°C	20	sec
Max dwell time @235°C	60	sec
Temperature drop in cooling Area	-1 to - 4	°C/sec
Max dwell time above 100°C	420	sec

Issue : 0914 C

In the effort to improve our products, we reserve the right to make changes judged to be necessary.



**MALE STRAIGHT RECEPTACLE FOR PCB**

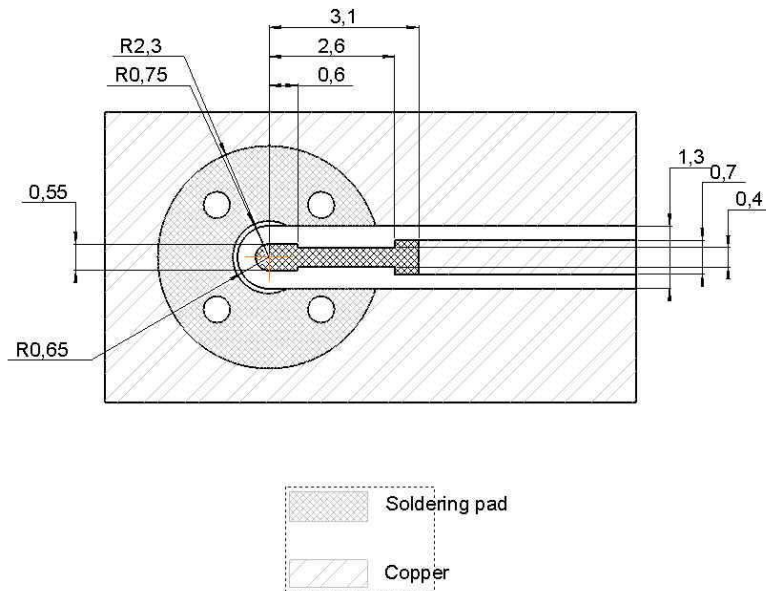
**R222.428.300**

**PIN IN PASTE - LIMITED DETENT**

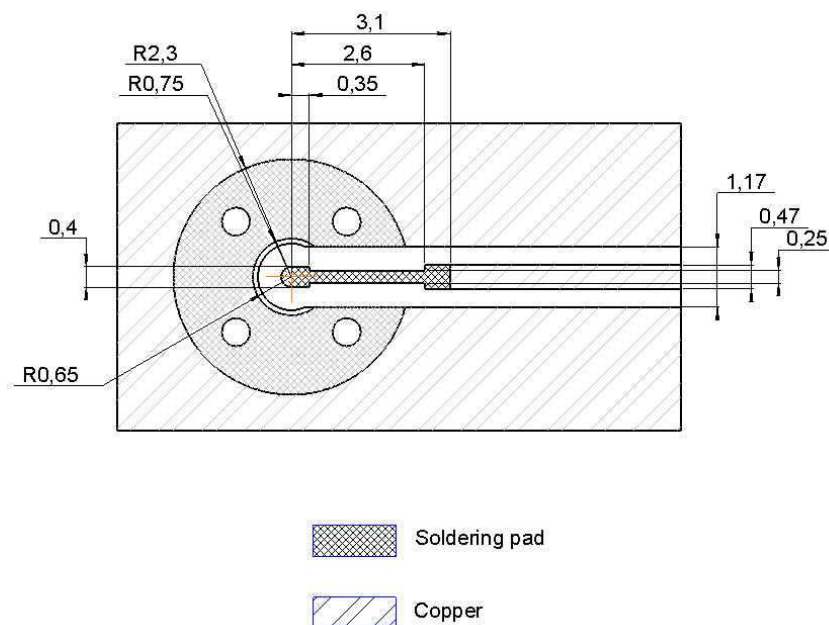
Series : SMP

**RECOMMENDED PAD DIMENSIONS:**

Substrate: RT5880 thickness 0.254mm, with copper layer 35µm on both sides :  
Add vias between both sides along upper ground plane according to engineering practise



Substrate: RO4350 thickness 0.254mm, with copper layer 35µm on both sides :  
Add vias between both sides along upper ground plane according to engineering practise



Issue : 0914 C

In the effort to improve our products, we reserve the right to make changes judged to be necessary.



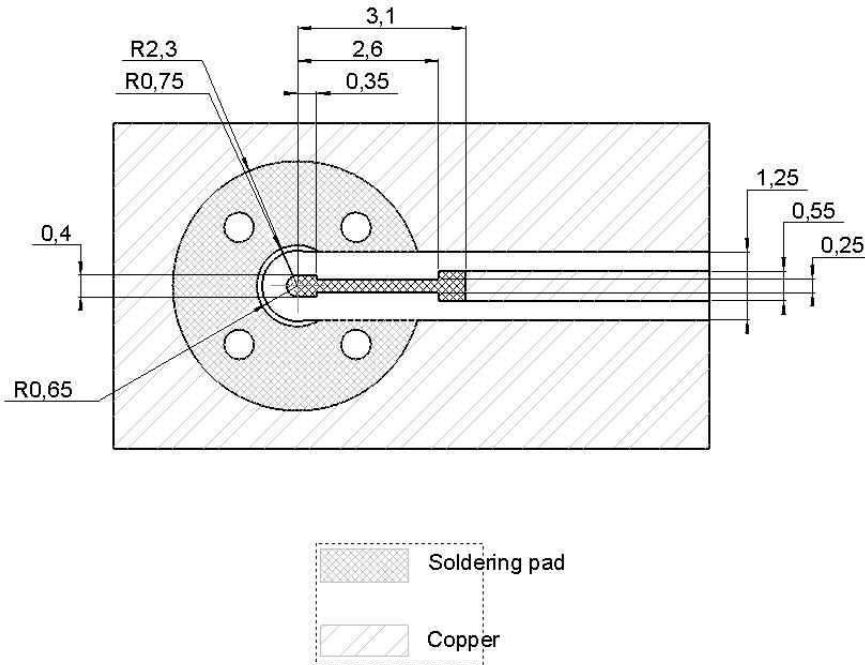
**MALE STRAIGHT RECEPTACLE FOR PCB**

**R222.428.300**

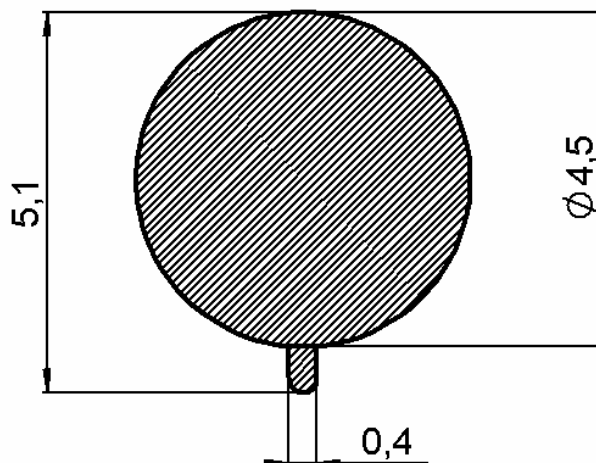
**PIN IN PASTE - LIMITED DETENT**

Series : SMP

Substrate: RO6002 thickness 0.254mm, with copper layer 35µm on both sides :  
 Add vias between both sides along upper ground plane according to engineering practise



**SHADOW FOR VIDEO CAMERA**



Issue : 0914 C

In the effort to improve our products, we reserve the right to make changes judged to be necessary.

